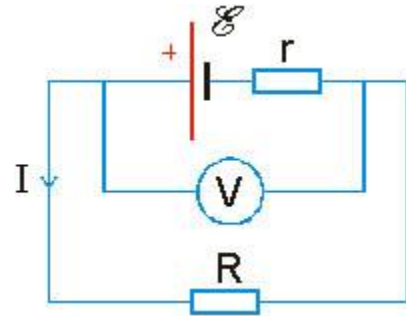


## Current Electricity - Md. Abdul Mumeed.

1. How does the current in a resistor change when it is connected to an a.c. supply?

2. Why The term "emf" is an inappropriate term?

3. What will be the expression for the Voltmeter reading in given circuit and also name it.



4. When a battery is not supplying any current, its terminal potential difference is equal to its \_\_\_\_\_.

As the current flowing through a battery increases, its terminal potential difference \_\_\_\_\_.

The difference between the emf and the terminal potential difference is referred to as the "lost voltage". The lost voltage represents energy converted to \_\_\_\_\_ by the \_\_\_\_\_.

5. What is the value of given resistor?

